

**S-TENSION LOAD CELLS IN SHEAR
CAPACITIES: 10 KG TO 100 KG**

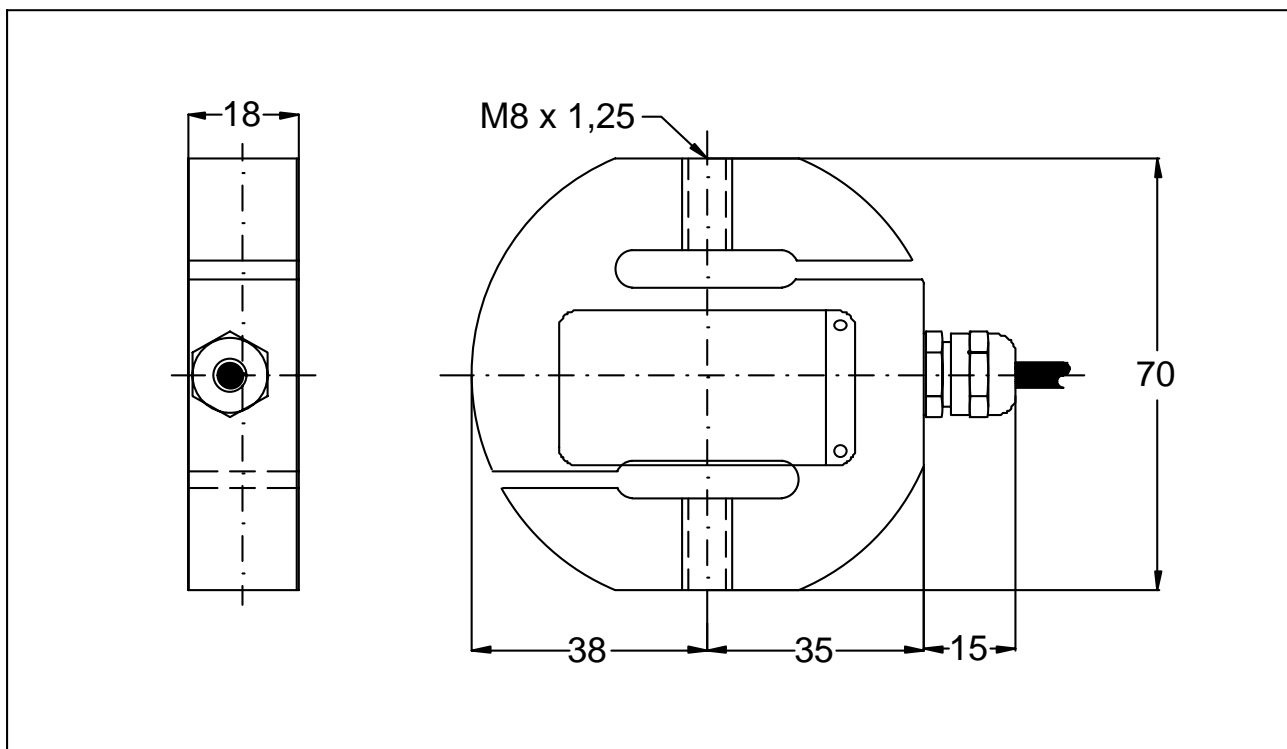
MODEL DT 8220



MODEL DT 8220

COMPLETE SERIE OF LOAD CELLS FOR TENSION / COMPRESSION

- **STAINLESS STEEL LOAD CELLS**
- **EYEBOLTS IN NICKELPLATED STEEL OR IN STAINLESS STEEL**
- **FULLY WELDED LOAD CELL UP TO IP 67**
- **3000 DIVISIONS**
- **EASY AND LOW COST INSTALATION**
- **MODEL DT 8220 CAN BE USED IN COMPRESSION AS WELL**
- **EXTENDED SERIE IN HIGHER CAPACITIES**



SPECIFICATIONS

	UNITS	AMOUNTS
Standard load ranges	kg	10, 25, 50, 100
Full Load Output	mV/V	2,0+/-0,1%
Excitation, dc or ac	Volt	10(15)
Safe service load	%	150
Ultimate Load	%	300
Combined Error	%	<0,03
Repeatability	%	<0,01
V.min.		E _{max} /8.000
Output at Zero Load	%	<2
Input Resistance	Ohms	400+/-20
Output Resistance	Ohms	350+/-2
Operational Temp.	*C	-20 to +80
Compensated Temp.	*C	-10 to +40
Temp. Coeff. of Zero	%/*C	<0,0020
Temp. Coeff. of Span	%/*C	<0,0015
Creep in 30 Minutes	%/*C	<0,03
Insulation	M Ohms	>500 at 100V. dc

ELECTRICAL CONNECTION

CABLE	POLYURETHANE, Ø 5,4 mm, 4 meter
+EXCITATION	RED
-EXCITATION	BLUE
+SIGNAL	GREEN
-SIGNAL	YELLOW